

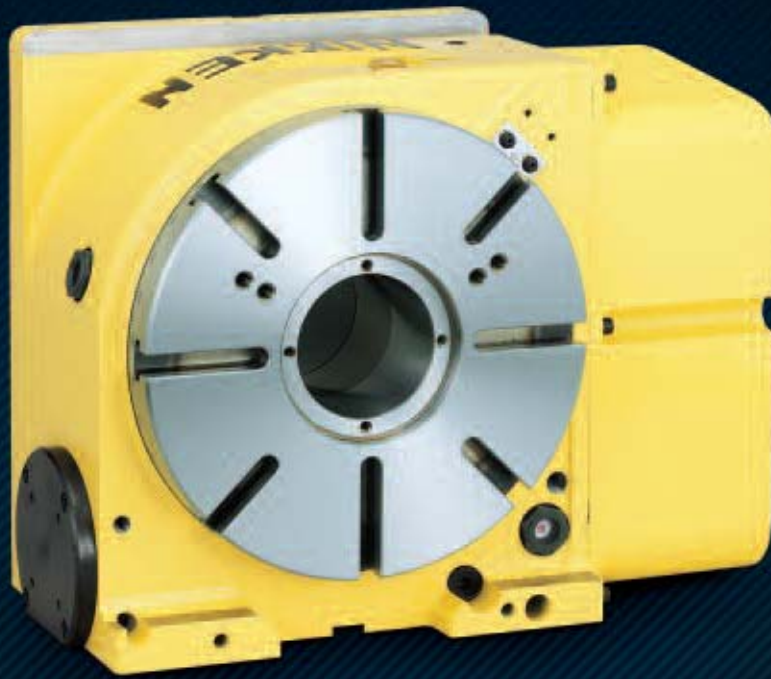
NIKKEN ROTARY TABLES

for Okuma Machining Centers

LYNDEX
NIKKEN



OKUMA



Lyndex-Nikken is a member of Partners
in THINC. www.partnersinthinc.com

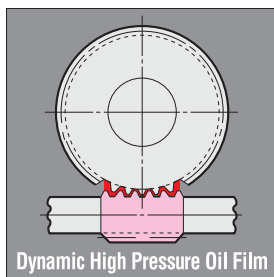
More Accuracy, Rigidity, and Reliability



The association of Lyndex-Nikken Rotary Tables with Okuma machine tools offers the best solution for your manufacturing needs. Through the power of THINC, a Lyndex-Nikken Rotary Table becomes an integral part of the machine and maximizes productivity and efficiency. As a member of Partners in THINC, Lyndex-Nikken shares with Okuma the same commitment for high quality and technology.

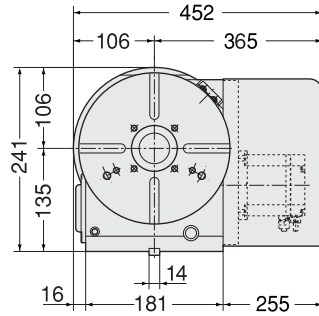
Every part of every Nikken's CNC Rotary Table is designed and built to provide high accuracy, increased production and a trouble-free long life. All Nikken Rotary Tables have built-in features and benefits which competitors just cannot match.

- V-Grade Carbide Worm System: 8 times more resistant than other alloys.
- Excellent Brake Torque (up to 5,000Nm): eliminates vibrations.
- Dynamic High Pressure Oil Film Effect: prevents metal-to-metal contact and eliminates gear wear.
- Steel way hardened to 58-60 Rc.
- Lyndex-Nikken's large line of rotary tables can be supplied in single axis, multi spindle or hirth coupling indexer versions with several options for motor mounting position, including right side, left side, back and top.
- Different styles and options are available to suit every kind of applications.



Okuma Machine	Nikken Rotary Table
OKUMA MC-V3016	CNC180 CNC202 5AX130 5AX200II
OKUMA MC-V4020	CNC180 CNC202 CNC260 CNC302 5AX130 5AX200II
OKUMA MB-46VA	CNC180 CNC202 CNC260 CNC302 5AX130 5AX230 5AX200II
OKUMA MB-56VA	CNC180 CNC202 CNC260 CNC302 CNCL321 CNCL401 5AX130 5AX230 5AX200II
OKUMA MB-66VA	CNC260 CNC302 CNC321 CNC401 5AX350 5AX200II
OKUMA MA-550VB	CNC180 CNC202 CNC260 CNC302 CNCB321 5AX130 5AX200II
OKUMA MA-650VB	CNC260 CNC302 CNCB321 CNC401 CNCB450 5AX230 5AX200II

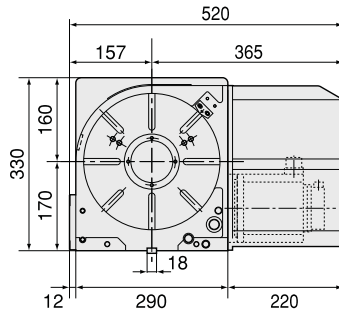
CNC180 and CNC202



Part Number	Faceplate Dia. (mm)	Rotation Speed (rpm)	Clamp Torque (Nm)	Max. Vert. Load (kg)
CNC(Z)180	Ø180	22.2 (44.4)	303	100
CNC(Z)202	Ø200	22.2 (44.4)	303	100

- Available in Standard and High-Speed (Z) Models.
- Suitable for a wide range of applications from small machines with simple indexing to full CNC integration for production application.

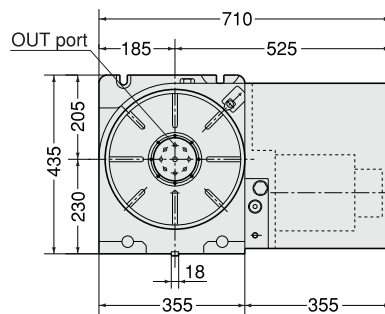
CNC260 and CNC302



Part Number	Faceplate Dia. (mm)	Rotation Speed (rpm)	Clamp Torque (Nm)	Max. Vert. Load (kg)
CNC(Z)260	Ø260	16.6 (33.3)	1568	175
CNC(Z)302	Ø300	16.6 (33.3)	1568	175

- Available in Standard and High-Speed (Z) Models.
- Several options available for motor mounting position, including right side, left side, back and top.
- Highest weight load capacity in its class.

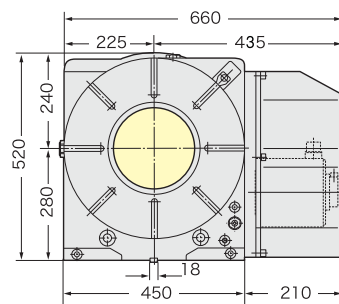
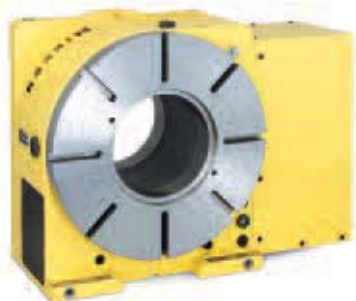
CNC321 and CNC401



Part Number	Faceplate Dia. (mm)	Rotation Speed (rpm)	Clamp Torque (Nm)	Max. Vert. Load (kg)
CNC(Z)321	Ø320	22.2 (44.4)	1760	250
CNC(Z)401	Ø400	22.2 (44.4)	1760	250

- Available in Standard and High-Speed (Z) Models.
- Heavy duty brake system.
- 4" through-hole.

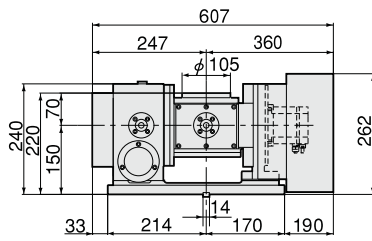
CNCB450



Part Number	Faceplate Dia. (mm)	Rotation Speed (rpm)	Clamp Torque (Nm)	Max. Vert. Load (kg)
CNCB450	Ø450	25	3870	350

- Featuring 8" through-hole and powerful brake system.
- Ideal for machining of large pipe.

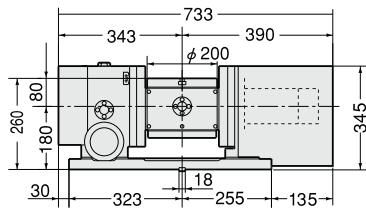
5AX-130



Part Number	Faceplate Dia. (mm)	Rotation Speed		Clamp Torque (Nm)	Max. Work Load (kg)
		Rotary	Tilting		
5AX-130	Ø105	22.2	11.1	205/303	25 (0°-30°) 15 (30°-90°)

- Excellent full 5 axis contouring capabilities.
- Compact design.

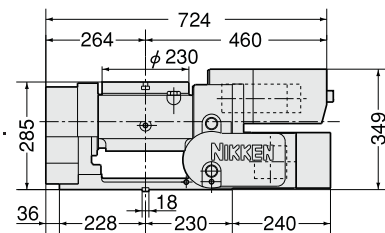
5AX-200II



Part Number	Faceplate Dia. (mm)	Rotation Speed		Clamp Torque (Nm)	Max. Work Load (kg)
		Rotary	Tilting		
5AX-200II	Ø200	22.2	11.1	588/490	50 (30°-90°) 80 (0°-30°)

- Powerful braking system.
- Excellent full 5 axis contouring capabilities.

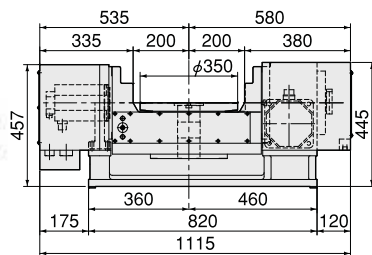
5AX-230



Part Number	Faceplate Dia. (mm)	Rotation Speed		Clamp Torque (Nm)	Max. Work Load (kg)
		Rotary	Tilting		
5AX-230	Ø230	11.1	5.5	490/3430	100

- Powerful braking system.
- Excellent full 5 axis contouring capabilities.

5AX-350



Part Number	Faceplate Dia. (mm)	Rotation Speed		Clamp Torque (Nm)	Max. Work Load (kg)
		Rotary	Tilting		
5AX-350	Ø350	22.2	22.2	1568	200

- Powerful braking system.
- Excellent full 5 axis contouring capabilities.

Nikken's Patented Ion Nitrided Worm Wheel Less Maintenance, More Productivity

Nikken's Rotary Tables are known worldwide for their long-term reliability and productivity. These benefits, along with our unparalleled long-term accuracy and repeatability, are achieved mainly due to our patented Ion Nitrided Worm Wheel.

- Reduces friction and wear by up to 8 times (compared to common phosphorous bronze and aluminum bronze worm wheel construction)
- Reduction of wear translates into reduced maintenance, and therefore more uptime and productivity

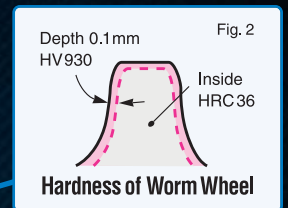
V-Grade Carbide Worm Screw

- Extremely durable and wear resistant.
- Maintains long-term accuracy.
- Dual bearing support.



Ion Nitrided Worm Wheel

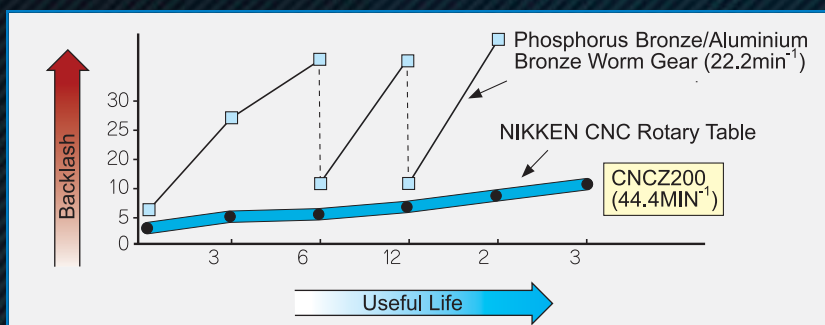
- Specially hardened and ion treated on teeth.
- Eliminates sliding friction.



Unmatched Custom Bearings

- Excellent weight load capacities.
- Large custom roller and thrust bearing surfaces.
- Measured in micron accuracies.

Japan (PAT.1856406)
USA (PAT.4576058)
GERMANY (PAT.DE3417860C2)
UK (PAT.2158546)
FRANCE (PAT.8407554)



Backlash Compensation

As wear is reduced, so is the need for backlash compensation. This chart shows typical wear characteristics, as well as the necessity for frequent backlash adjustments for other manufacturers' rotary tables.



Okuma Vertical Machining Centers

Okuma is a world leader in the development of machining technology. Okuma vertical machining centers offer users high throughput, high accuracy, reliable solutions to production machining operations.



11900 Westhall Drive Charlotte, NC 28278
(704) 588-7000 www.okuma.com

Lyndex-Nikken High Quality Machine Tool Accessories

Lyndex-Nikken has emerged as the premier manufacturer of rotary tables and tool holders in the world capable of meeting all your applications requirements.



1468 Armour Blvd. Mundelein, IL 60060
800-543-6237 www.lyndexnikken.com